



This high quality trolley range is precision engineered in capacities from 500Kg to 10 tonne.

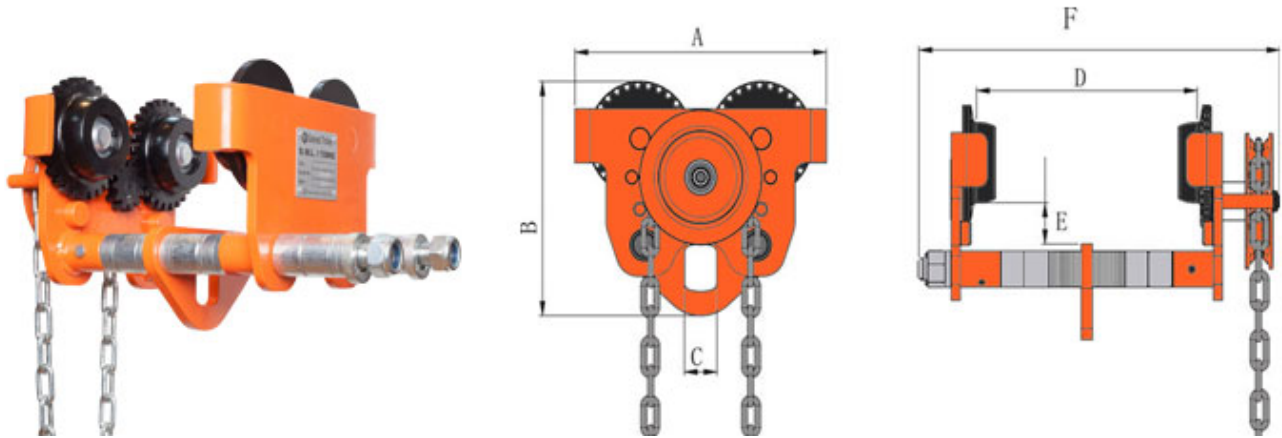
Enabling exact positioning or easy traversing of large loads incorporating Manual hoists, the Hackett series push trolley can be supplied to suit various track widths with Beam Range 1 and the extended Beam Range 2.

It has been designed so that the bottom of the hand chain loop is 500mm from ground level.

It has been designed so that the bottom of the hand chain loop is 500mm from ground level.

The runners (trolley wheels) are precision machined and they rotate on maintenance sealed ball bearings.

All Hackett push trolleys are fitted with anti-jump bars.



## TECHNICAL SPECIFICATION

Part Code	Capacity (t)	Min. radius of Curve (m)	A (mm)	B (mm)	C (mm)	D (mm)	E (mm)	F (mm)	Beam Range 1 (mm)	Beam Range 2 (mm)	Mass (kg)
055.050	0.5	0.8	200	166	22	203	34	320	50-203	50-203	17.1
055.100	1.0	0.9	232	196	30	203	34.6	333.2	64-203	64-305	13.5
055.200	2.0	1.0	260	226	37	203	34.5	342	88-203	88-305	19.0
055.300	3.0	1.2	280	264	42	203	34.5	352	100-203	100-305	30.5
055.500	5.0	1.3	312	271.3	50	203	34.2	370	114-203	114-305	38.6
055.1000	10.0	2.0	376	334	58	206	37.1	391.2	124-203	124-305	70.0